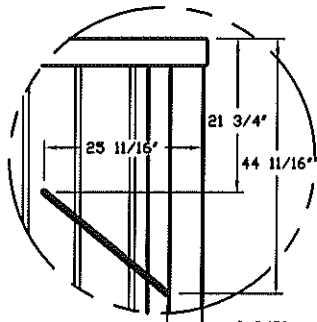
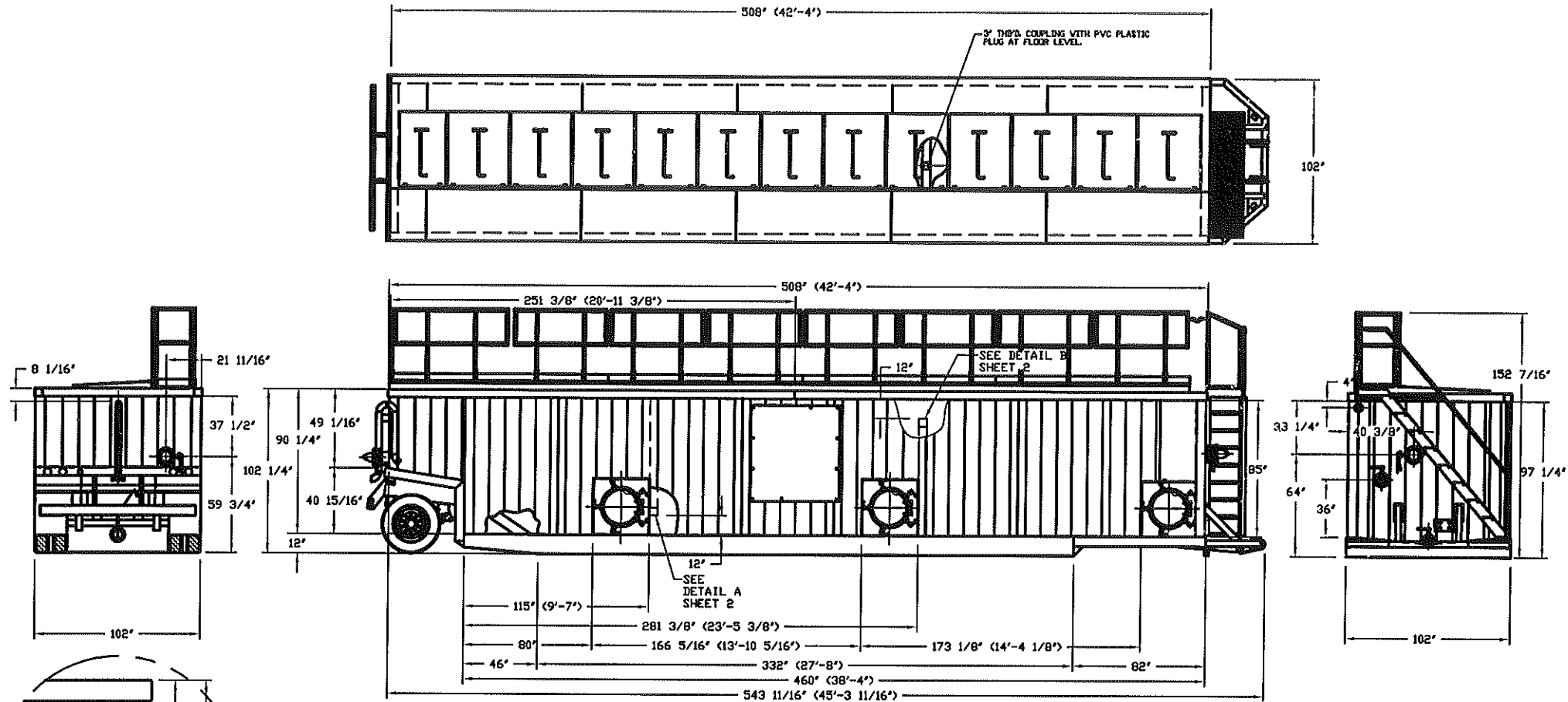


8 1/2 x 14



GRAB BAR DETAIL
NO SCALE

FOR FAX ONLY

PROPRIETARY INFORMATION

This document contains proprietary information developed at the expense of V.E. Enterprises, Inc. including its divisions of Eagle Trailers and Environmental Tank System. No reproductions use of this information is authorized by V.E. Enterprises, Inc., Eagle Trailers, or Environment Systems representative.

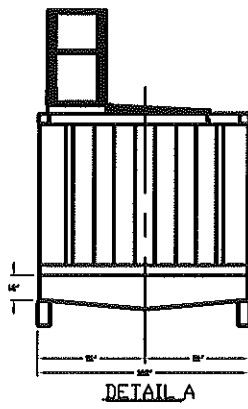
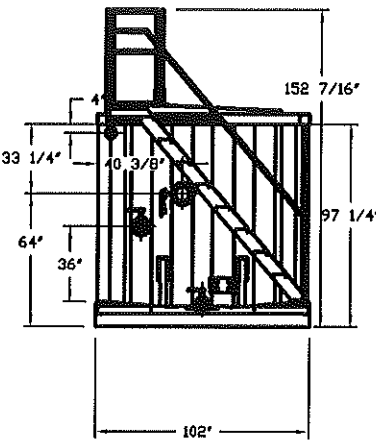
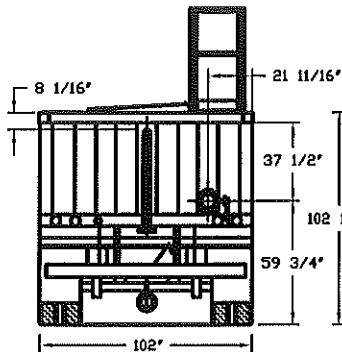
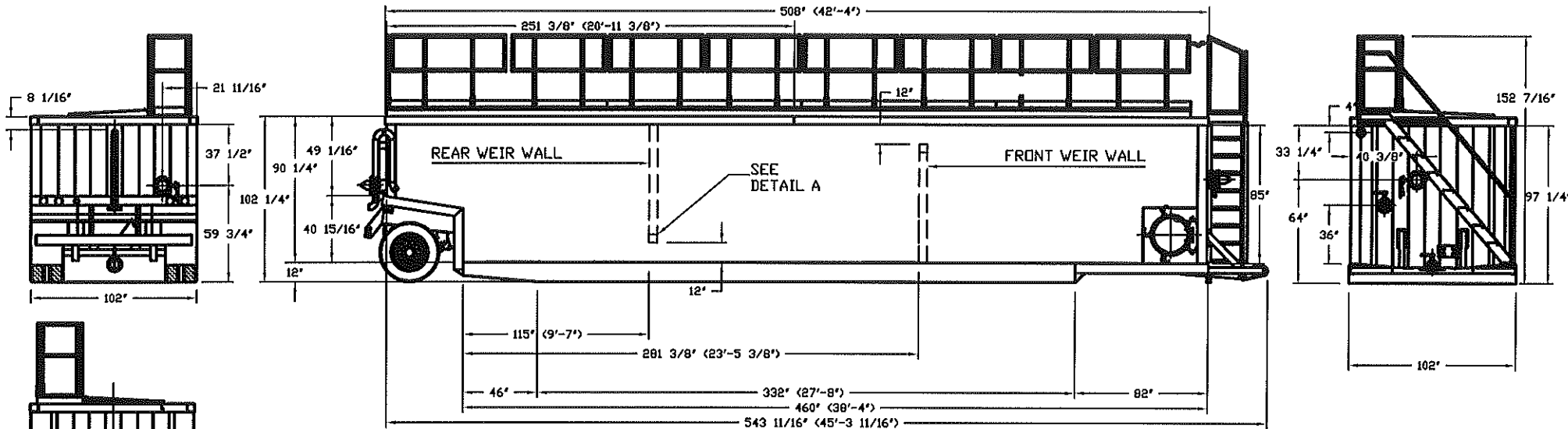
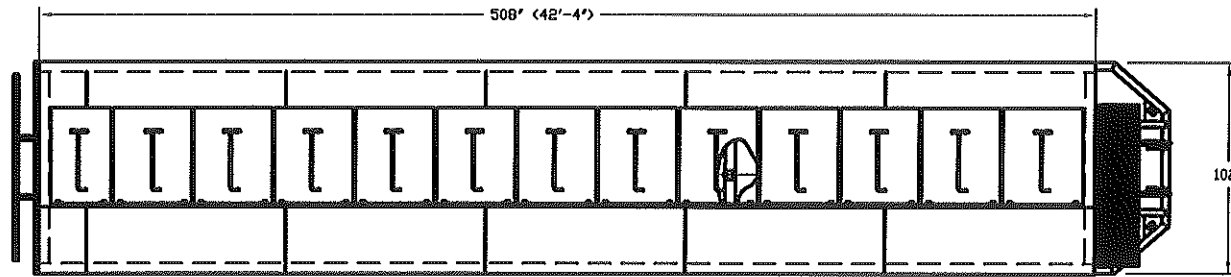
THESE PRODUCTS MAY PROTECTED BY ONE OR MORE OF THE FOLLOWING PATENTS

D-318,033
D-348,269
D-5,004,269

,5,213,180
,5,273,180

V.E. ENTERPRISES INC.

SCALE: X=X	APPROVED BY:	ISSUE: 1	DRAWN BY: CLP
DATE: 04-30-07			REVISED:
FLIP TOP WEIR TANK			SIZES SHEET: X 1 OF 2
1/4" MATERIAL			DRAWING NUMBER:



CORRAGATION LINES & OTHER LINES HAVE BEEN OMITTED FOR CLARITY OF WEIR WALL LOCATIONS & DETAILS.

PROPRIETARY INFORMATION This document contains proprietary information developed at the expense of V.E. Enterprises, Inc. Including its divisions of Eagle Trailers and Environmental Tank System. No reproductions use of this information is authorized by V.E. Enterprises, Inc., Eagle Trailers, or Environment Systems representative.		V.E. ENTERPRISES INC.	
SCALE: X=X DATE: 04-30-07	APPROVED BY:	ISSUE: 1	DRAWN BY: CLP REVISED:
THESE PRODUCTS MAY PROTECTED BY ONE OR MORE OF THE FOLLOWING PATENTS D-318,033 D-348,269 ,5,004,269			FLIP TOP WEIR TANK 1/4" MATERIAL
		SIZES: X SHEET: 1 OF 2	DRAWING NUMBER:

FAX ONLY